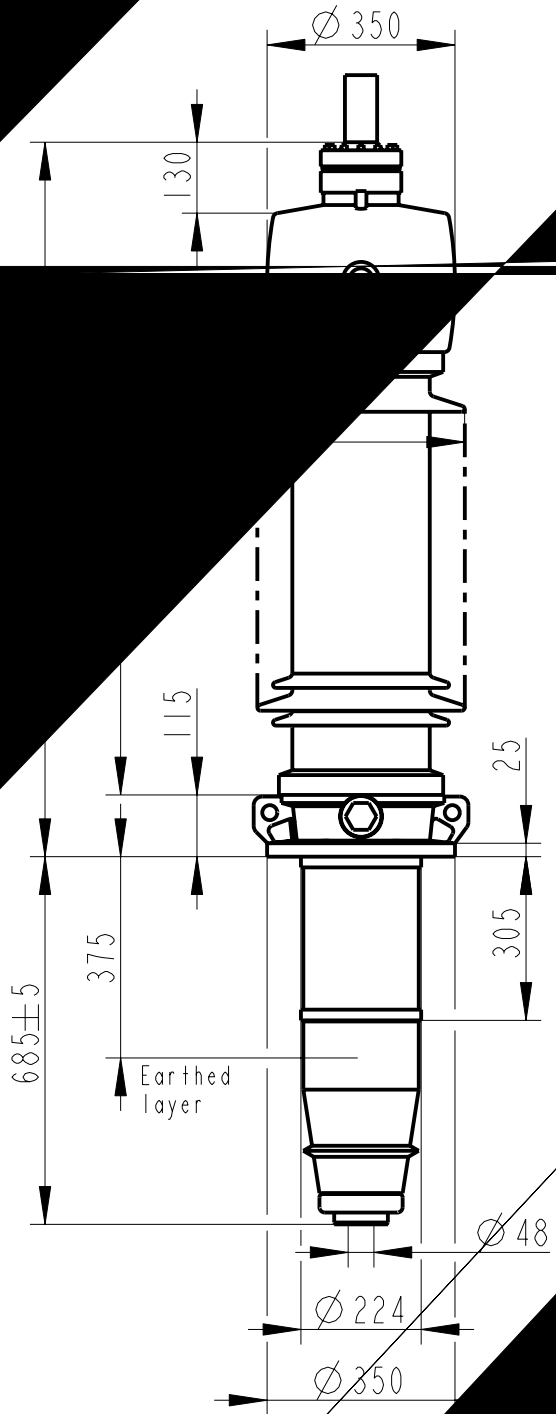


We reserve all rights in this document and in the information contained therein. Reproduction, use or



Bu

Raf
Pho
P

LFIT
LFIT
LFIT
OTHER

END-SH
LFIT
LFIT

DRAW RO
LFIT 0
LFIT 03

INNER TERMINAL

	D3	D9
	(mm)	(mm)
LFIT	E 0 *	45
	D 40	4

LOT HOLE

ABB

holes $\varnothing 20$

ABB

ABB